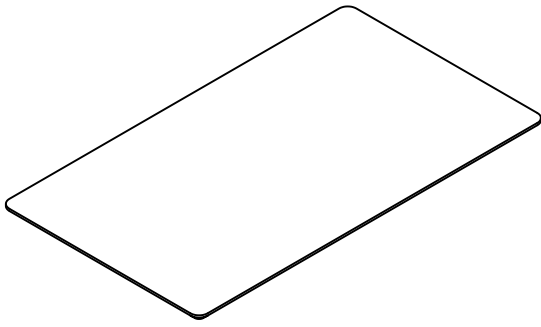


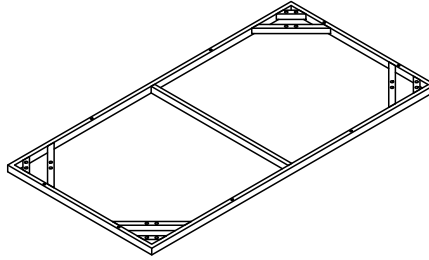
ASSEMBLY INSTRUCTION

PARTS LIST

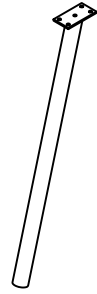
1. - 1 Pc.



2. - 1 Pc.



3. - 4 Pcs.

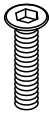


FITTINGS

A. - 16 Pcs.



B. - 8 Pcs.



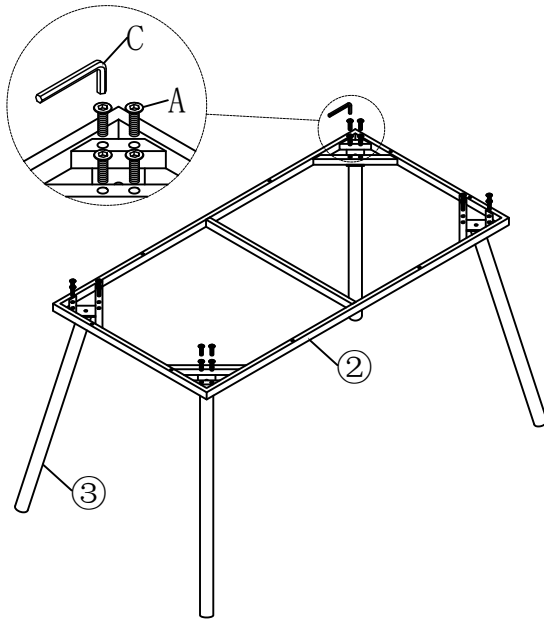
C. - 1 Pc.



D. - 1 Pc.



1



2

