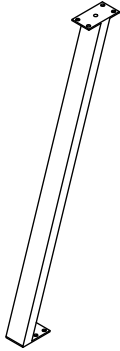


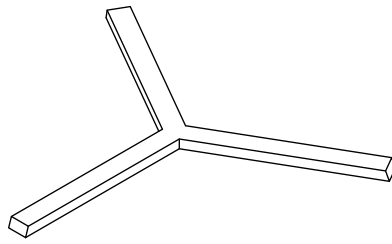
ASSEMBLY INSTRUCTION

PARTS LIST

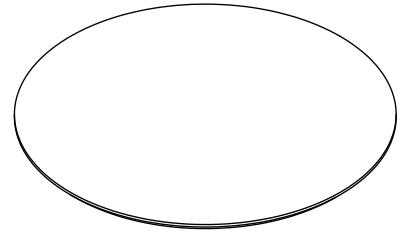
1. -3 Pcs



2. -1 Pc



3. -1 Pc



FITTINGS

A -12 Pcs



B -1 Pc



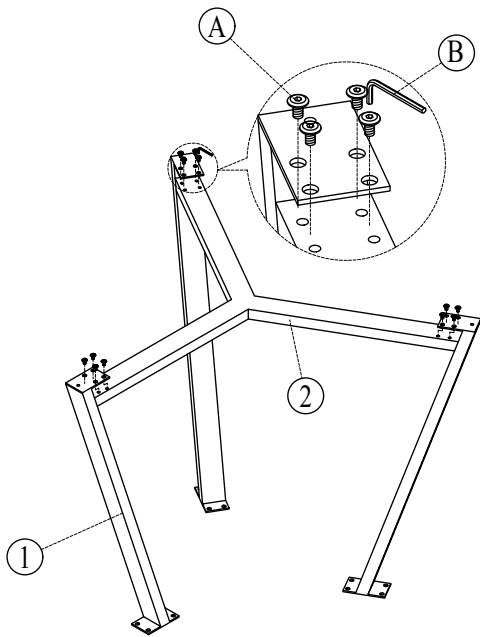
C -12 Pcs



D -3 Pcs



1



2

